

AFRAME CASTOR

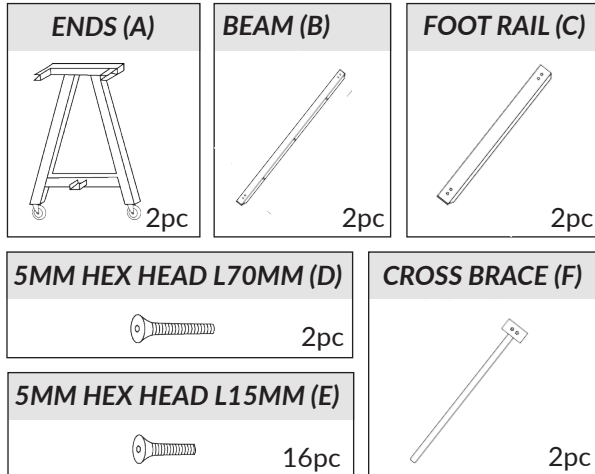
ez ASSEMBLY INSTRUCTIONS

1200mm, 1500mm, 1800mm, & 2100mm Bar Frames

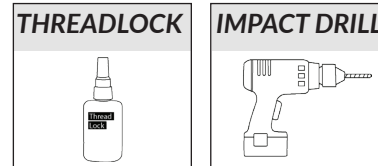


scan me

PARTS:



TOOLS (NOT INCLUDED):



We strongly recommend applying thread lock to the full length of all screws and using an impact drill. Scan the QR code with a phone or tablet to access the assembly video.

WARNING:

Always take care with an impact drill gun.

INSTRUCTIONS:

